

670SJ

SELF-LEVELING TELESCOPIC BOOM LIFT

BOOM LIFT



KEY SPECS

Platform Height
66-ft 10-in / 20.36-m

Horizontal Outreach
57-ft 1-in / 17.40-m

Drive Speed
3.8 mph / 6.1 km/h

Platform Capacity
Restricted: 750-lb / 340-kg
Unrestricted: 550-lb / 250-kg

KEY FEATURES

- Get right to work with smart-adapting technology to level on slopes up to 10 degrees, while driving at full height.
- Remove the need for cribbing or grading the job site, trial-and-error positioning or use of larger equipment to reach over uneven terrain.
- Less bouncing around in the platform helps operators feel less fatigued and less distracted by tools shifting in transit.
- A fully integrated advanced control system provides real-time data right on the job site.

ACCESSORIES & OPTIONS

- 36 x 72-in (0.91 x 1.83-m) Platform
- Accessory Packages:
 - SkyPower®
 - SkyWelder®
- Cold Weather Start Kit¹
- Fall Arrest Platform
- Flashing Amber Beacon
- Hostile Environment Kit²
- Inward Swinging Gate
- Light Package³
- Operator Tool Tray

STANDARD SPECIFICATIONS

Performance

Platform Height	66-ft 10-in / 20.36-m
Horizontal Outreach	57-ft 1-in / 17.40-m
Swing	360 Degrees Continuous
Tailswing	4-ft / 1.22-m
Platform Capacity (Restricted)	750-lb / 340-kg
Platform Capacity (Unrestricted)	550-lb / 250-kg
Platform Rotator	180 Degrees Hydraulic
Weight*	25,341-lb / 11,494-kg
Max. Ground Bearing Pressure	85 psi / 5.87 kg/cm ²
Drive Speed 4WD	3.8 mph / 6.1 km/h
Gradeability 4WD	45%
Ground Clearance	1-ft / .33-m
Leveling Capacity (Fore/Aft)	10 Degrees
Leveling Capacity (Side to side)	10 Degrees
Turning Radius 2WD (Inside/Outside)	8-ft 4.4-in (2.55-m) / 18-ft 7.6-in (5.68-m)

*Certain options or country standards increase weight

Engine

Diesel Engine – Deutz T4F	67 hp / 50 kW
Fuel Tank Capacity	31 gal / 117 L

Tires

Standard	Foam-filled
----------	-------------

Hydraulic System

Capacity	34 gal / 129 L
Auxiliary Power	12V DC

STANDARD FEATURES

- 12V-DC Auxiliary Power
- 110V-AC Receptacle in the Platform
- All-motion Alarm
- Control ADE® System
- Engine Distress Warning/Shutdown - Selectable via JLG Analyzer
- Gull-Wing Hoods
- Hourmeter
- Hydraulic Platform Rotator
- Integrated Display with Chassis Tilt Indicator
- Lifting/Tie Down Lugs
- Platform Console Machine Status
- Proportional Controls
- Self Leveling Chassis
- SkyGuard SkyLine™
- Swing-Out Engine Tray

1. Includes battery blanket, hydraulic tank heater, block heater.

2. Includes boom wipers, cylinder bellows and console cover.

3. Includes platform work lights, head and tail lights, amber beacon.

Additional accessories and options available via JLG Aftermarket.

670SJ

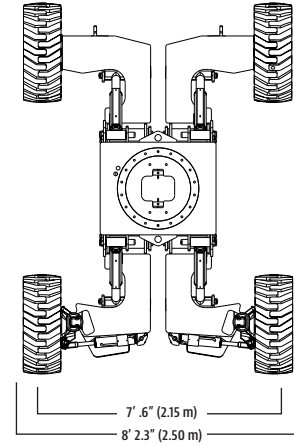
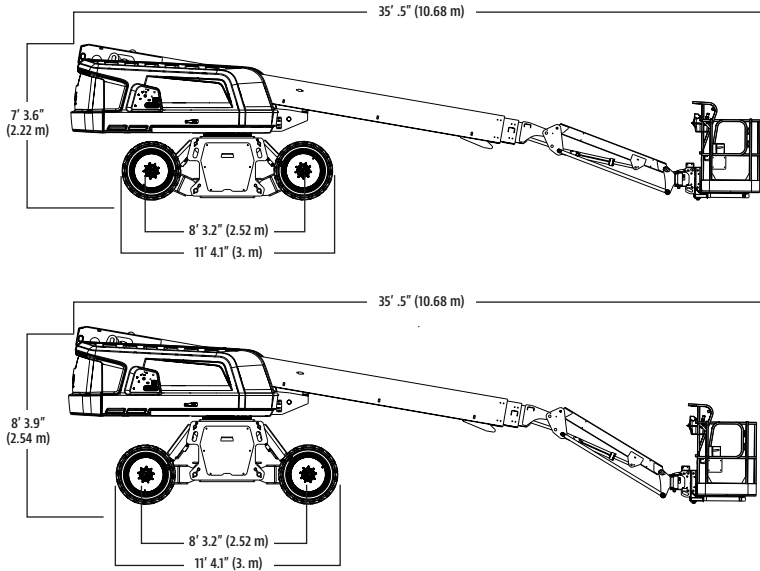
SELF-LEVELING TELESCOPIC BOOM LIFT

BOOM LIFT

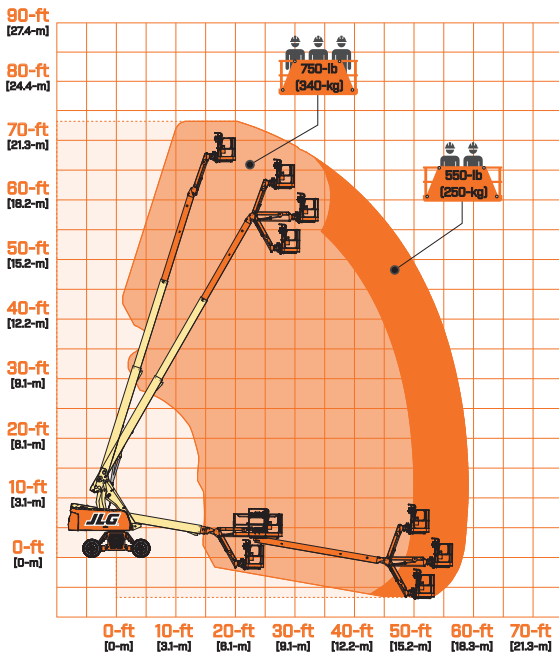


DIMENSIONS

All dimensions are approximate



REACH DIAGRAM



We provide coverage for one (1) full year, and cover all specified major structural components for five (5) years. Due to continuous product improvements, we reserve the right to make specification and/or equipment changes without prior notification. This machine meets or exceeds applicable ANSI and CSA requirements based on machine configuration as originally manufactured for intended applications. Please reference the serial number plate on the machine for additional information.



JLG INDUSTRIES, INC.
Toll-free US 877-JLG-LIFT
JLG.com

An Oshkosh Corporation Company